

Figure 2 – Connecting Rod and Slider

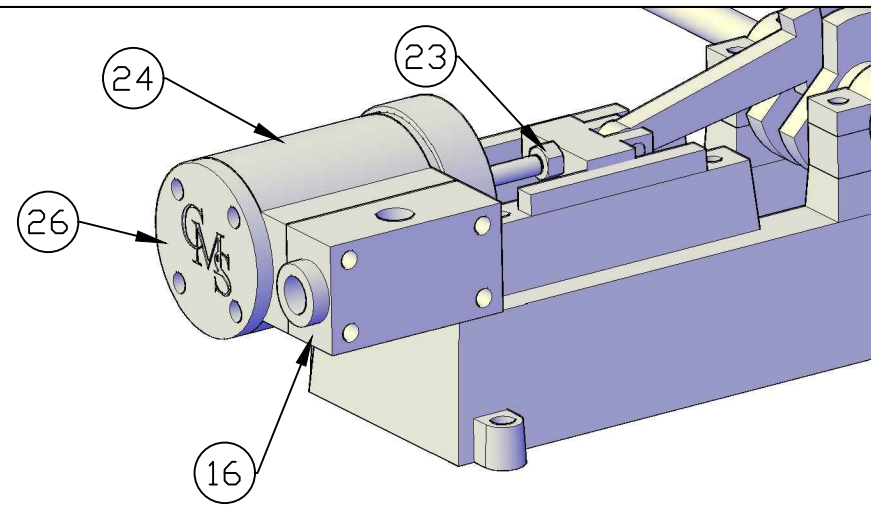


Figure 3 – Cylinder and Chest

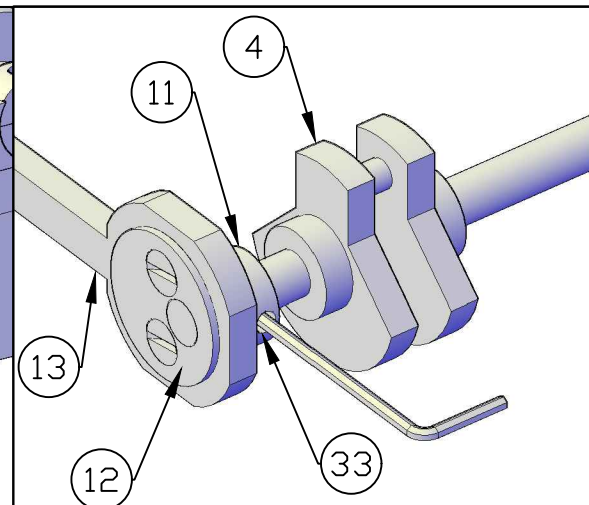


Figure 4 – Valve Setting

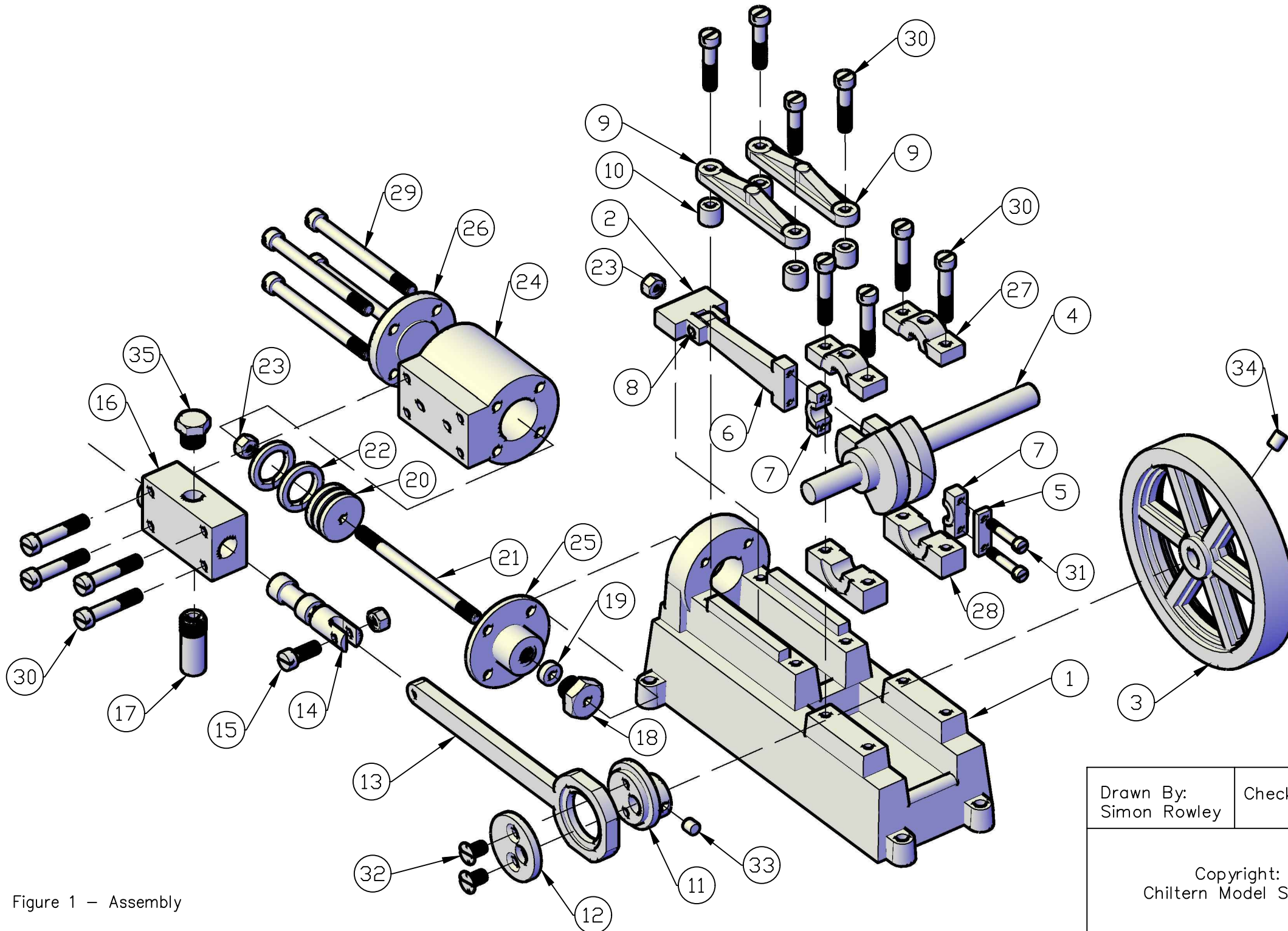


Figure 1 – Assembly

No.	Qty	Description	Material
1	1	Horizontal Single Base	Steel
2	1	Horizontal Crosshead Slider	Brass
3	1	Flywheel Single Cylinder	Brass
4	1	Single Cylinder Crank	Steel
5	1	Con Rod Bearing Keep	Steel
6	1	Connecting Rod	Stainless Steel
7	2	Con Rod Bearing Halves	Bronze
8	1	Slider Pin	Steel
9	2	Slider Cap Left/Right	Brass
10	4	Cap Spacer	Brass
11	1	Eccentric Wheel	Steel
12	1	Eccentric Wheel Plate	Steel
13	1	Eccentric Rod	Brass
14	1	Valve	Stainless Steel
15	1	Valve Nut & Bolt (M2x9mm)	Steel
16	1	Chest	Brass
17	1	Inlet/Outlet Pipe	Brass
18	1	Packing Nut	Brass
19	1	Piston Shaft Packing (not inc.)	PTFE Tape
20	1	Piston	Brass
21	1	Piston Shaft	Stainless Steel
22	2	Piston Ring	Teflon
23	2	M3 Nut	Steel
24	1	Cylinder	Brass
25	1	Cylinder Plate Inner	Brass
26	1	Cylinder Plate End	Brass
27	2	Main Bearing Upper	Bronze
28	2	Main Bearing Lower	Bronze
29	4	Cap Screw M3 x 45mm	Steel
30	12	Cap Screw M3 x 18mm	Steel
31	2	Bolt M2 x 11.5mm	Steel
32	2	Counter Sunk Screw M3	Steel
33	1	M3 Grub/Set screw x 3mm	Steel
34	1	M3 Grub/Set screw x 4mm	Steel
35	1	Chest Plug	Brass

Drawn By: Simon Rowley	Checked By:	File Name: HSA v2.1.1.14 Instructions	Date: Oct 2017	Scale: N/A
Copyright: Chiltern Model Steam		Part: Mill (Horizontal) Single Cylinder Engine Assembly Diagram		
		Material: N/A	Rev: 1.2	Part: N/A