

Figure 2 - Valve Settings

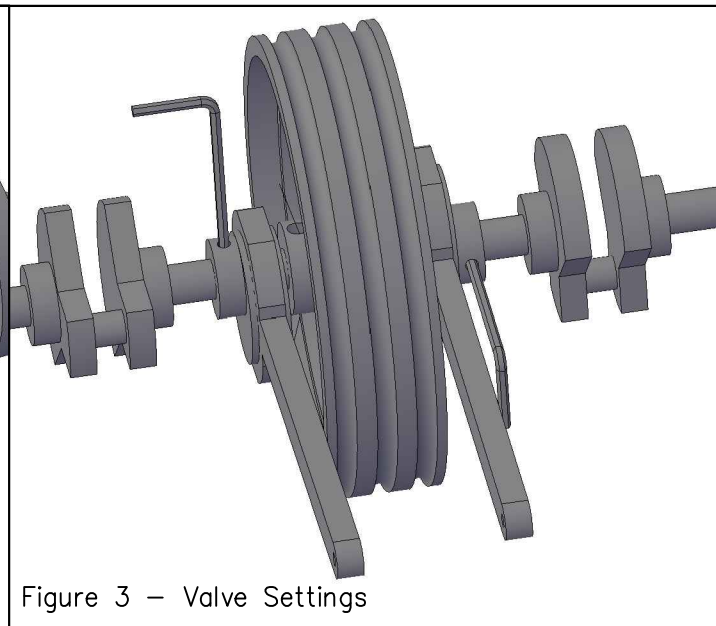


Figure 3 - Valve Settings

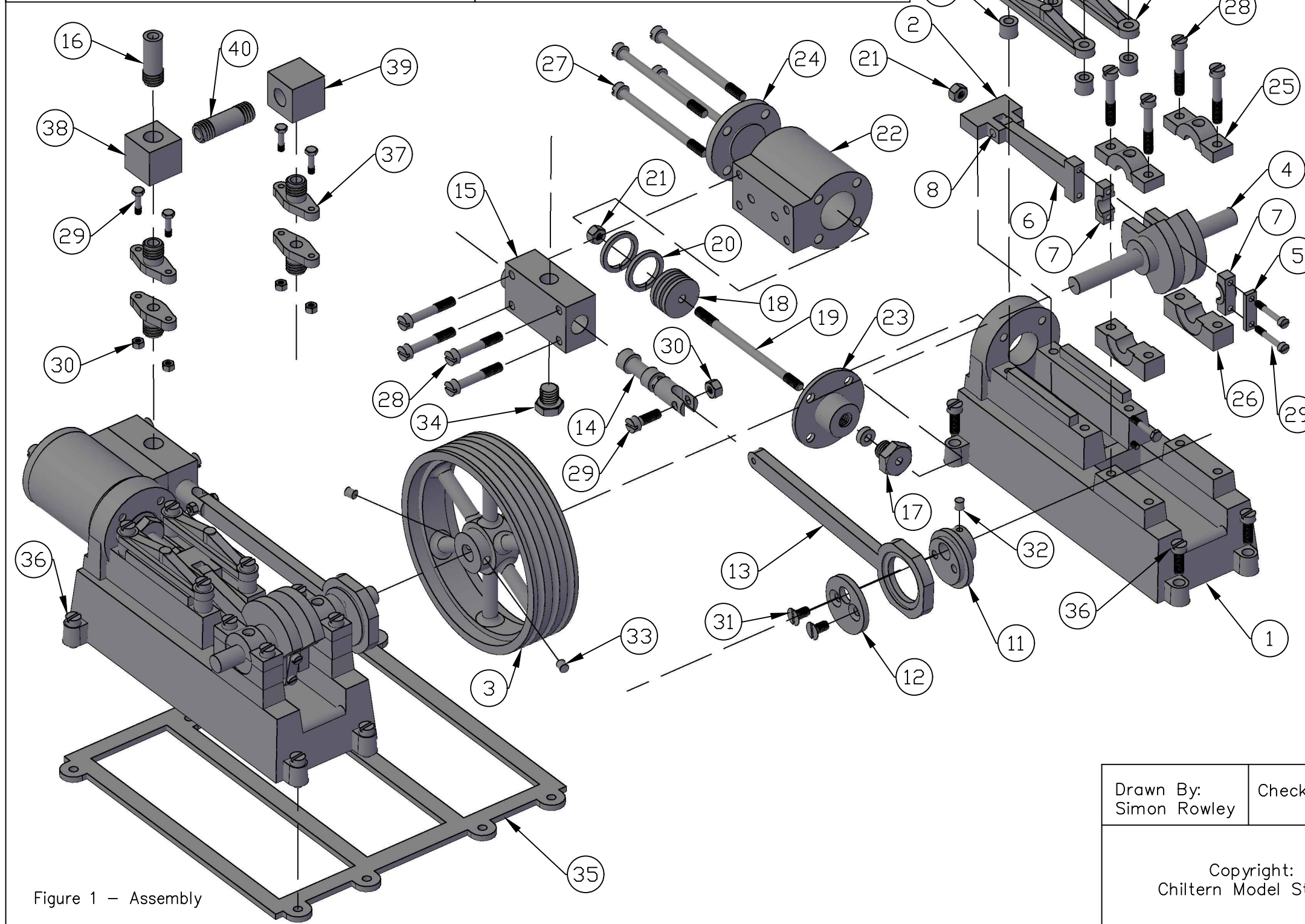


Figure 1 - Assembly

No.	Qty	Description	Material
1	2	Horizontal Single Base	Steel
2	2	Horizontal Crosshead Slider	Brass
3	1	Flywheel Tandem Twin	Brass
4	2	Single Cylinder Crank	Steel
5	2	Con Rod Bearing Keep	Steel
6	2	Connecting Rod	Stainless Steel
7	4	Con Rod Bearing Halves	Bronze
8	2	Slider Pin	Steel
9	4	Slider Cap Left/Right	Brass
10	8	Cap Spacer	Brass
11	2	Eccentric Wheel	Brass
12	2	Eccentric Wheel Plate	Brass
13	2	Eccentric Rod	Brass
14	2	Valve	Stainless Steel
15	2	Chest	Brass
16	1	Inlet/Outlet Pipe	Brass
17	2	Packing Nut	Brass
18	2	Piston	Brass
19	2	Piston Shaft	Stainless Steel
20	4	Piston Ring	Teflon
21	4	M3 Nut	Steel
22	2	Cylinder	Brass
23	2	Cylinder Plate Inner	Brass
24	2	Cylinder Plate End	Brass
25	4	Main Bearing Upper	Bronze
26	4	Main Bearing Lower	Bronze
27	8	Cap Screw M3 x 45mm	Stainless Steel
28	24	Cap Screw M3 x 18mm	Stainless Steel
29	10	Cap Screw M2 x 11.5mm	Stainless Steel
30	6	M2 Nut	Stainless Steel
31	4	Counter Sunk Cap Screw M3	Steel
32	2	M3 Grub/Setscrew x 3mm	Steel
33	4	M3 Grub/Setscrew x 4mm	Steel
34	2	Chest Plug	Brass
35	1	Mounting Plate	Steel
36	8	Cap Screw M3 x 10mm	Stainless Steel
37	4	Manifold	Brass
38	1	Inlet Tee	Brass
39	1	Inlet Elbow	Brass
40	1	Link Pipe	Brass

Drawn By: Simon Rowley	Checked By:	File Name: HTTA Instructions	Date: May 2018	Scale: N/A
Copyright: Chiltern Model Steam		Part: Tandem Twin Cylinder Mill (Horizontal) Engine Assembly Diagram		
		Material: N/A	Rev: 1.0	Part: N/A