

Figure 2 – Connecting Rod and Slider

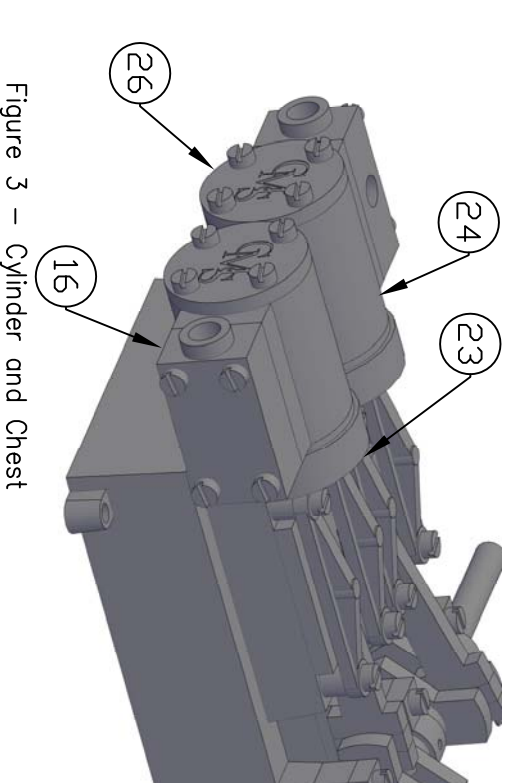


Figure 3 – Cylinder and Chest

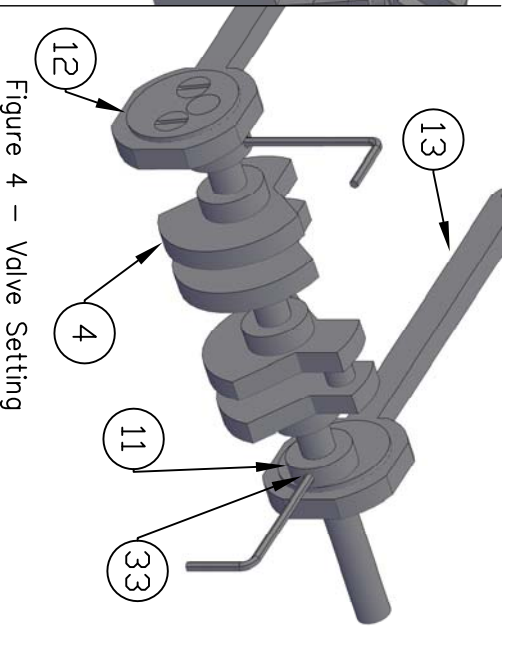
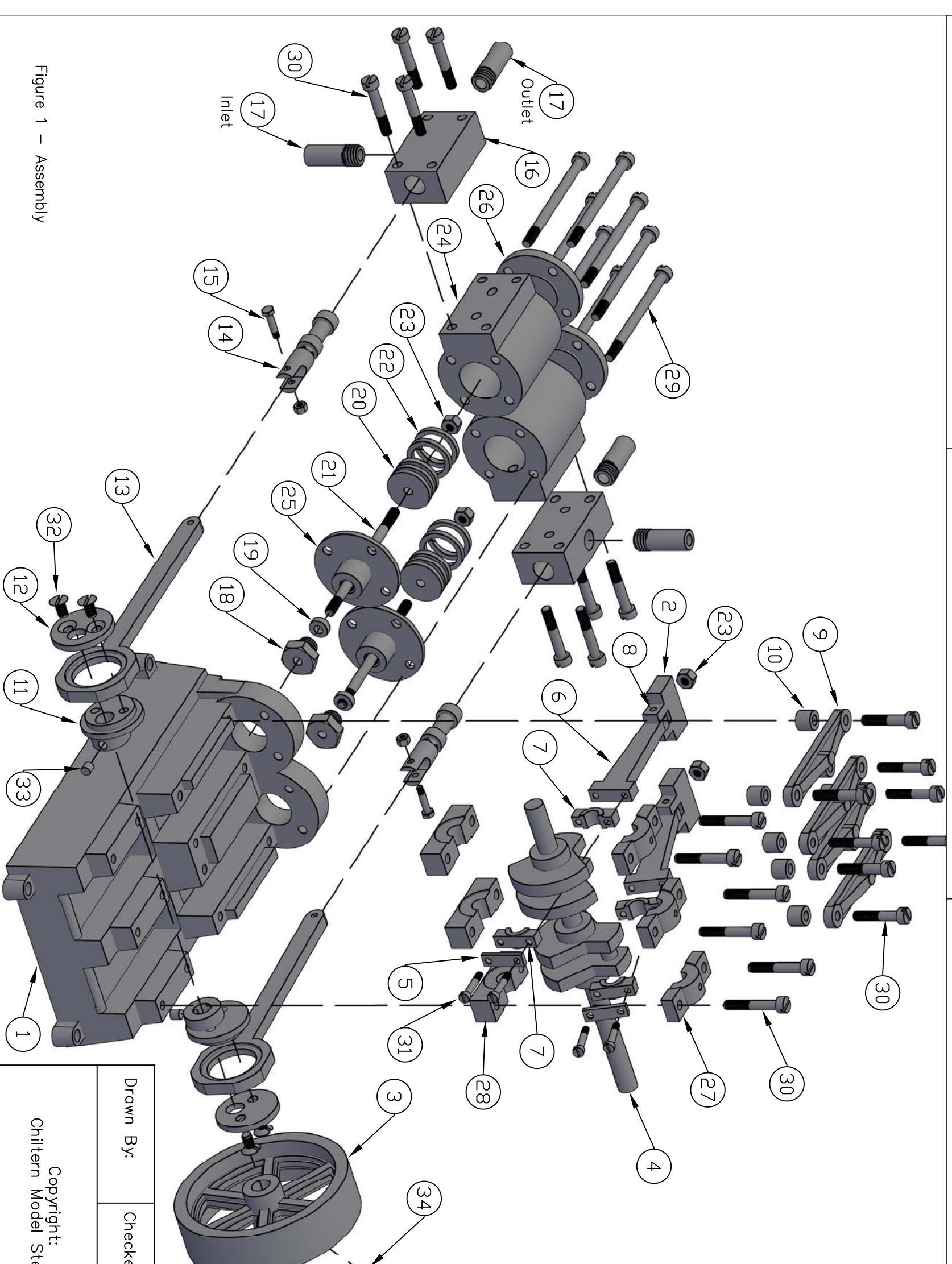


Figure 4 – Valve Setting



No.	Qty	Description	Material
1	1	Horizontal Twin Base	Steel
2	2	Horizontal Crosshead Slider	Brass
3	1	Flywheel Twin Cylinder	Brass
4	1	Twin Cylinder Crank	Steel
5	2	Con Rod Bearing Keep	Steel
6	2	Connecting Rod	Brass
7	4	Con Rod Bearing Halves	Bronze
8	2	Slider Pin	Steel
9	4	Slider Cap Left/Right	Brass
10	8	Cap Spacer	Brass
11	2	Eccentric Wheel	Brass
12	2	Eccentric Wheel Plate	Brass
13	2	Eccentric Rod	Brass
14	2	Valve	Stainless Steel
15	2	Valve Nut & Bolt (M2x9mm)	Steel
16	2	Chest	Brass
17	4	Inlet/Outlet Pipe	Brass
18	2	Packing Nut	Brass
19	2	Piston Shaft Packing	Teflon
20	2	Piston	Brass
21	2	Piston Shaft	Stainless Steel
22	4	Piston Ring	Teflon
23	4	M3 Nut	Steel
24	2	Cylinder	Brass
25	2	Cylinder Plate Inner	Brass
26	2	Cylinder Plate End	Brass
27	3	Main Bearing Upper	Bronze
28	3	Main Bearing Lower	Bronze
29	8	Cap Screw M3 x 45mm	Steel
30	22	Cap Screw M3 x 18mm	Steel
31	4	Bolt M2 x 11.5mm	Steel
32	4	Counter Sunk Screw M3	Steel
33	2	M3 Grub/Setscrew x 3mm	Steel
34	1	M3 Grub/Setscrew x 4mm	Steel

Drawn By:	Checked By:	File Name:	Date:	Scale:
		HTA v1.1.5 Assembly	Feb 2011	N/A
Part: Horizontal Twin Assembly				
Material: N/A				
Rev: 0.1				
Part: N/A				

Figure 1 – Assembly

Copyright:
Chiltern Model Steam