

Figure 1 – Assembly

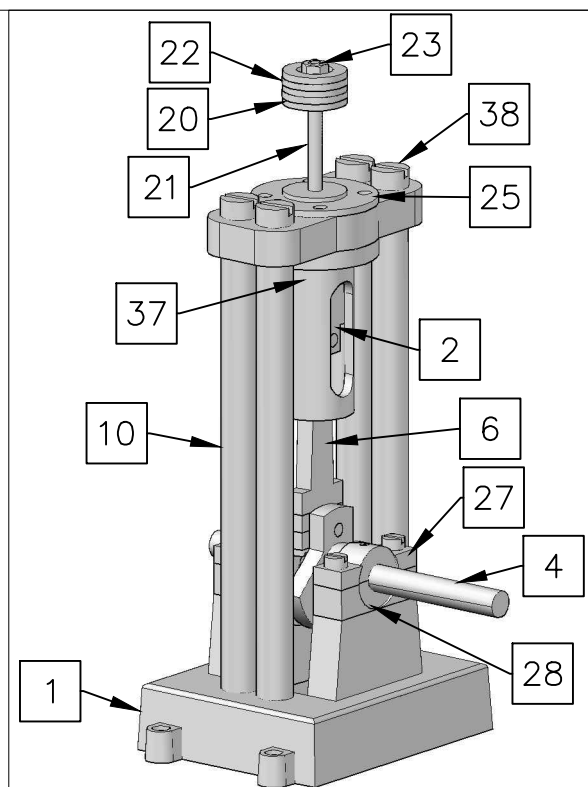


Figure 2 – Connecting Rod and Slider

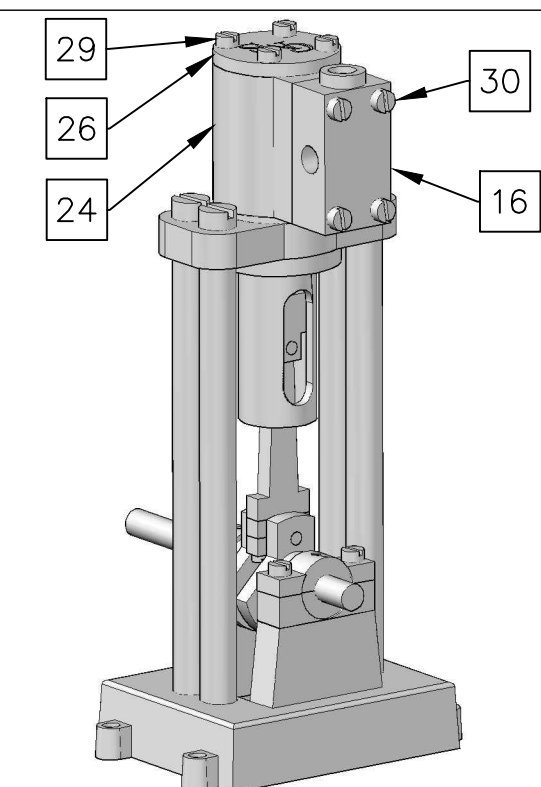


Figure 3 – Cylinder and Chest

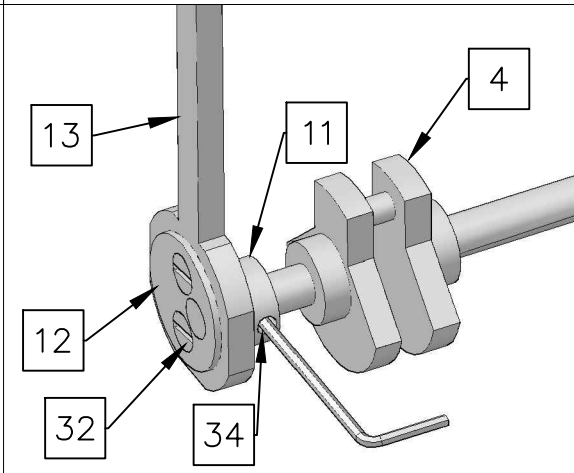


Figure 4 – Valve Setting

No.	Qty	Description	Material
1	1	Vertical Single Base Plate	Steel
2	1	Vertical Tube Slider	Brass
3	1	Flywheel Single Cylinder	Brass
4	1	Single Cylinder Crank	Steel
5	1	Con Rod Bearing Keep	Steel
6	1	Connecting Rod	Brass
7	2	Con Rod Bearing Halves	Bronze
8	1	Slider Pin	Steel
9	1	Vertical Single Top Plate	Steel
10	4	Vertical Columns	Steel
11	1	Eccentric Wheel	Brass
12	1	Eccentric Wheel Plate	Brass
13	1	Eccentric Rod	Brass
14	1	Valve	Stainless Steel
15	1	Valve Nut and Bolt (M2 x 9mm)	Steel
16	1	Chest	Brass
17	2	Inlet/Outlet Pipe	Brass
18	1	Packing Nut	Brass
19	1	Piston Shaft Packing	Teflon
20	1	Piston	Brass
21	1	Piston Shaft	Stainless Steel
22	2	Piston Ring	Teflon
23	2	M3 Nut	Steel
24	1	Cylinder	Brass
25	1	Cylinder Plate Inner	Brass
26	1	Cylinder Plate End	Brass
27	2	Main Bearing Upper	Bronze
28	2	Main Bearing Lower	Bronze
29	4	Cap Screw M3 x 45mm	Steel
30	8	Cap Screw M3 x 18mm	Steel
31	2	Bolt M2 x 11.5mm	Steel
32	2	Counter Sunk Screw M3 x 5mm	Steel
33	1	M3 Grub/SetScrew x 3mm	Steel
34	1	M3 Grub/SetScrew x 4mm	Steel
35	4	Cap Screw M3 x 12mm	Steel
36	1	Eccentric Wheel Packing	Plastic
37	1	Vertical Slider Tube	Steel
38	4	Socket Button Screw M5 x 16mm	Stainless Steel
39	4	Socket Cap Screw M5 x 10mm	Stainless Steel

Drawn By: Simon Rowley	Checked By:	File Name: Vert Base v2 Assembly	Date: Nov 2016	Scale: N/A
Copyright Chiltern Model Steam		Part: Vertical Single Marine Engine v2 Assembly Instructions		
		Material: N/A	Rev: 1.0	Part: N/A